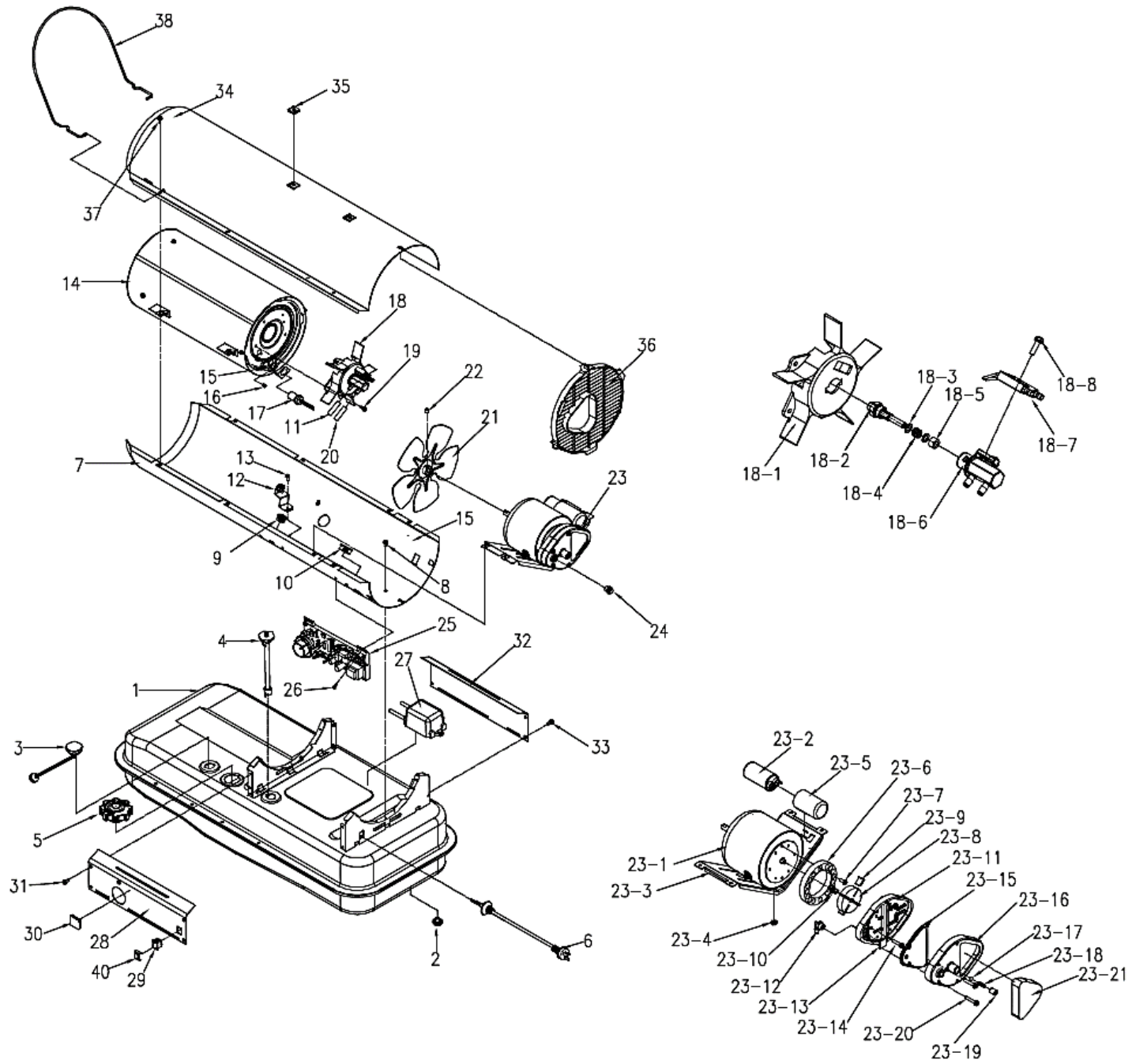


DC30 EXPLODED VIEW & PART NUMBERS



NO.	Description	DC30	Quantity
1	Fuel Tank Ass'y	KP2151004801	1
2	Fuel Drain-Bolt	KP4329007200	1
3	Fuel Gauge Ass'y	KP2156000100	1
4	Fuel Filter Ass'y	KP2155000100	1
5	Fuel Cap Ass'y	KP2151004100	1
6	Power Cord Ass'y	KP3980028500	1
7	Shell Lower	KP3111053805	1
8	Screw Flange	KP4319001500	4
9	Bushing-Grommet(S)	KP3231012000	1
10	Bushing-Grommet(L)	KP3231012100	2
11	Line Air	KP3341003600	1
12	Thermostat Limit Ass'y	KP2153002300	1
13	Screw Flange	KP4319001500	1
14	Chamber Ass'y	KP2152024400	1
15	Bracket Photocell	KP3131015900	1
16	Screw-BH1	KP4311006800	2
17	Photocell Ass'y	KP2153000200	1
18	Burner Head Ass'y	KP2152030600	1
18-1	Burner Head	KP3531002500	1
18-2	Nozzle	KP2152030500	1
18-3	Washer-Nozzle Seal	KP4349001600	2
18-4	Spring-Nozzle Seal	KP3431001000	1
18-5	O-Ring	KP3311000600	1
18-6	Nozzle Adaptor	KP3231017900	1
18-7	Spark Plug	KP3651001200	1
18-8	Bolt-Flange	KP4329007900	1
19	Screw Flange	KP4319001500	3
20	Line Fuel	KP3341003200	1
21	Fan Ass'y	KP2154000400	1
22	Bolt Headless Hex Socket	KP4323000800	1
23	Motor and Pump Ass'y	KP2154014400	1
23-1	Motor	KP3970021700	1
23-2	Capacitor	KP3820021800	1
23-3	Motor Support	KP3111043900	1
23-4	Nut-Lock	KP4331002200	2

23-5	Holder Capacitor	KP3231018200	1
NO.	Description	DC30	Quantity
23-6	Body Pump	KP3541002200	1
23-7	Bolt-BH Special	KP4321019800	2
23-8	Rotor	KP3451000800	1
23-9	Blade	KP3451000900	4
23-10	Insert	KP3231005200	1
23-11	Cover End Pump	KP3531002700	1
23-12	Elbow	KP3231018100	1
23-13	Filter Lint	KP3631000500	1
23-14	Bolt Flange	KP4329008100	6
23-15	Output Filter	KP2155000400	1
23-16	Cover End Filter Ass'y	KP2154000500	1
23-17	Ball	KP3541002300	1
23-18	Spring	KP3431001600	1
23-19	Screw Adjusting	KP3511002500	1
23-20	Bolt Flange	KP4329001600	4
23-21	Filter Intake	KP3631000700	1
24	Plug	KP3231005400	1
25	PCB Ass'y(control)	KP215A008000	1
26	Screw TH2S	KP4312004400	2
27	Ignitor	KP39E0007200	1
28	Cover(R)-Side	KP31210498XX	1
29	Power Switch	KP39A0015300	1
30	Window Display	KP3231011300	1
31	Screw Flange	KP4319001500	4
32	Cover(L)-Side	KP31210504XX	1
33	Screw Flange	KP4319001500	4
34	Shell Upper	KP3111050705	1
35	Nut Clip	-	2
36	Guard Fan	KP3221007500	1
37	Screw Flange		8
38	Front Guard	-	1
39	Cap Power Switch	KP3380002700	1

NO.	DESCRIPTION	PART NO.	Quantity
1	Front Handle	KP3551002300	1
2	Rear Handle	KP3551008600	1
3	Wheel Support Frame	KP3551008200	1
4	Wheel-Flat Free	KP3720001700	2
5	Bar-Wheel	KP3551008900	1
6	Bolt TH	KP4321016600	8
7	Nut Hex2	KP4331002800	8
8	Bushing Wheel	KP3131030000	2
9	Cap Nut	KP4334000100	2

